



TeachEngineering

STEM Curriculum for K-12

Renewable Energy: Sail Cars



Subscribe to our newsletter at TeachEngineering.org to stay up-to-date on everything TE!

Brought to you by



Question: What Is Energy?

Answer: Energy is the ability to do work.



Energy comes in many forms: chemical energy, electrical energy, heat energy, light energy, mechanical energy and nuclear energy.

Conservation of Energy

**“Energy is neither created
nor destroyed.”**

The amount of energy in a system is conserved over time.

Renewable vs. Nonrenewable



Examples of renewable energy:
solar, biofuel, wind,
geothermal, hydropower

LIMITLESS



Examples of nonrenewable energy:
fossil fuels (coal, oil, natural gas)

LIMITED

Wind Energy

A type of renewable energy provided by the wind.

Wind turbines





DAY TIME



NIGHT TIME

Wind Energy



PV Cells

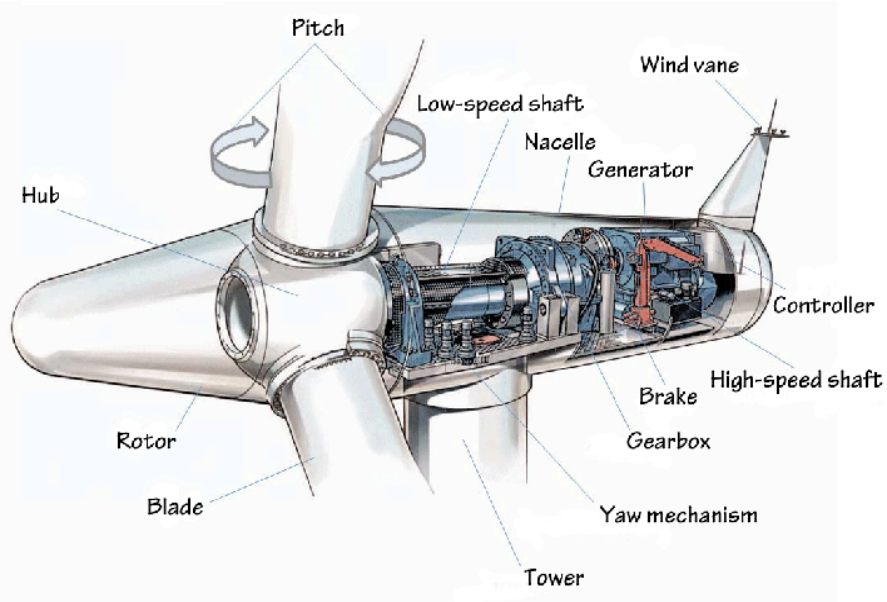


Concentrated Solar

Wind Turbines

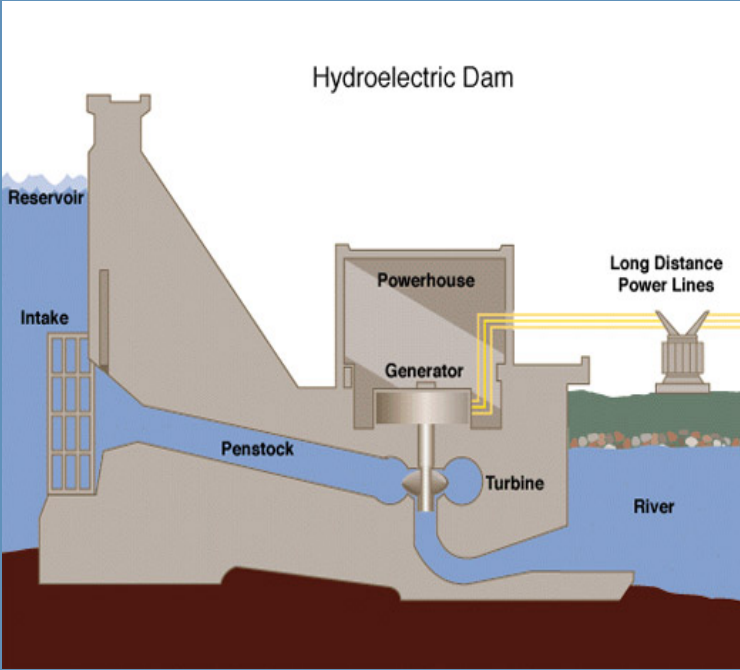
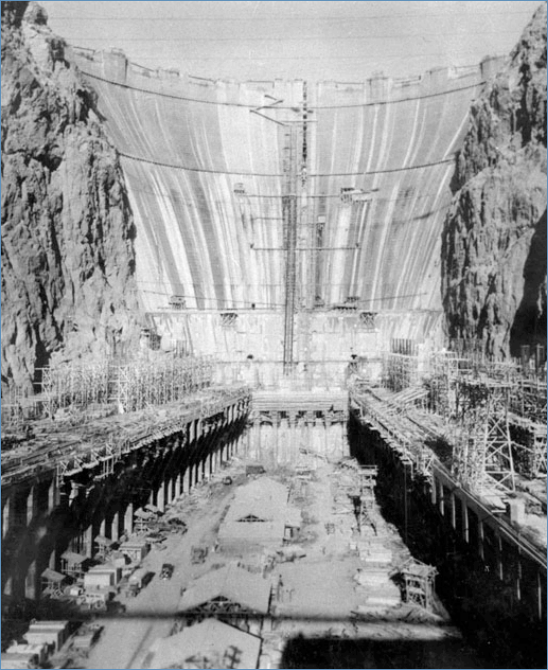


The major components of a wind turbine



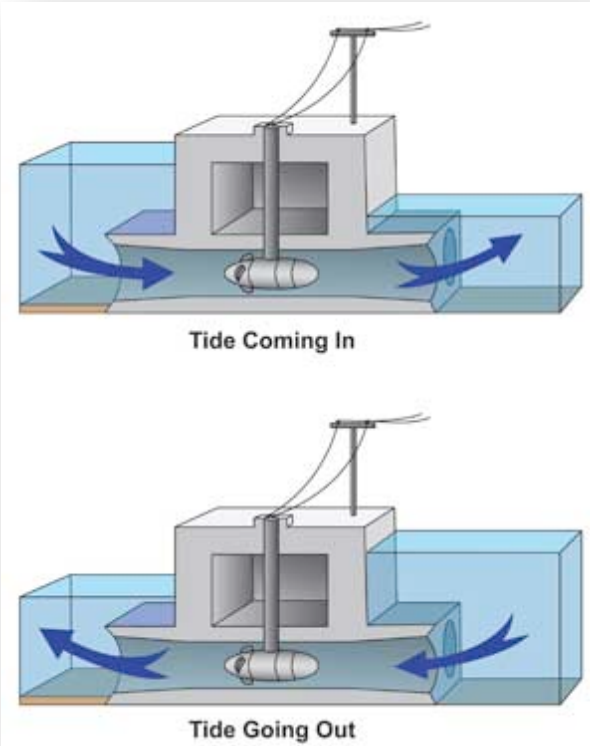
SOURCE: Center on Globalization, Governance, and Competitiveness, Duke University

Hydropower



Other Types of Renewable Energy

hydro / tidal



geothermal



biofuels



Sail Car Challenge

In groups of two, design a sail to propel your car forward using the wind from a box fan!



- Each group receives a base with axles and wheels.
- Use the given materials to design a mast and sail that propels your “sail car” forward.
- Be creative and don’t give up!

Sail Types



Scientific Method

- What are our *constants*?
 - car base – cardboard rectangle of the same size and shape
 - axles – coffee stirrers
 - wheels – Lifesavers mint candies
- What are our *variables*?
 - sail material
 - sail design
 - mast material
 - mast design
- Can you think of any other constants?
- Can you think of any other variables?



