

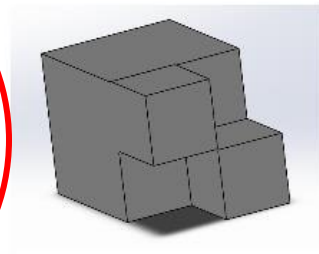
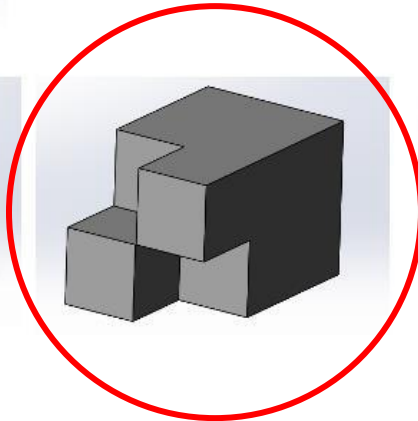
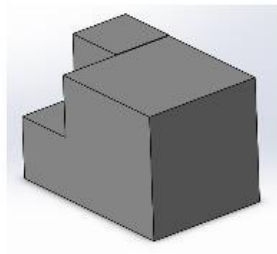
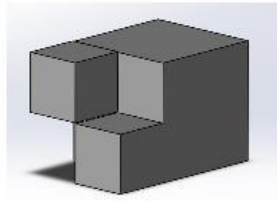
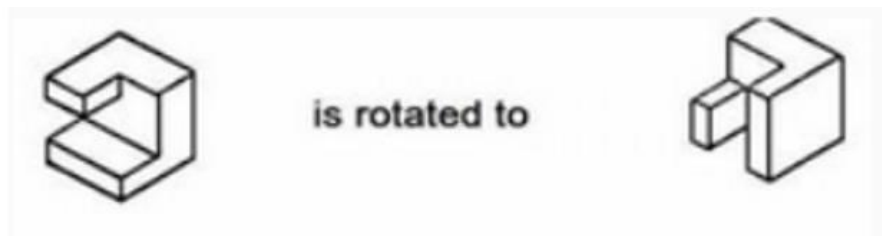
Rotations Practice Worksheet **Answer Key**

Worksheet Instructions

- Study how the object in the top line is rotated.
- Picture in your mind what the object shown in the middle line of the question looks like when rotated in the same manner.
- Select your answer from the three options given in the bottom line of the question.

You have 15 minutes to complete the 15 questions on this practice assignment *Good luck!*

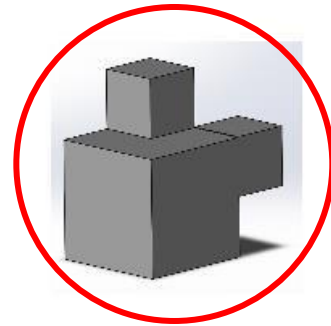
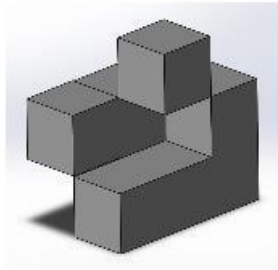
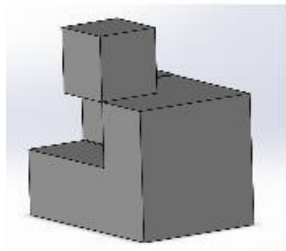
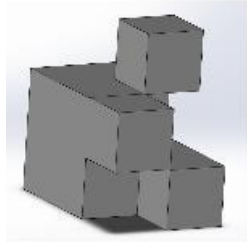
1.



2.



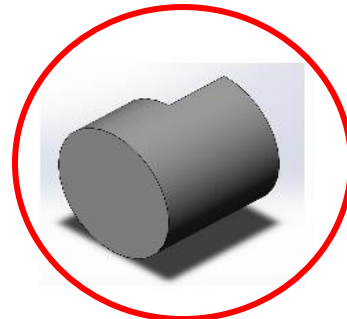
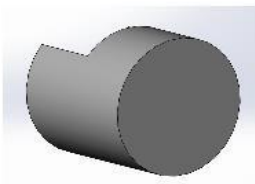
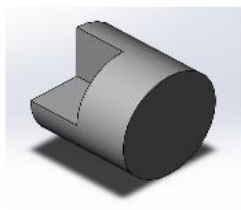
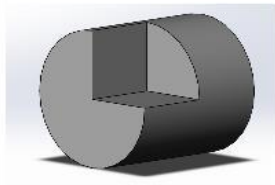
is rotated to



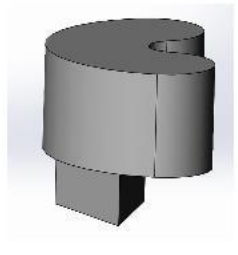
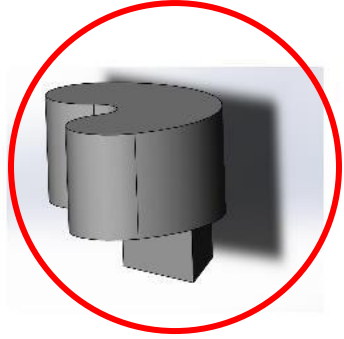
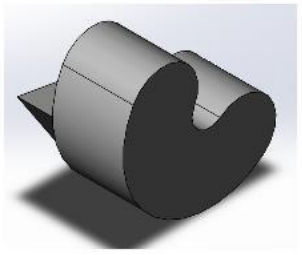
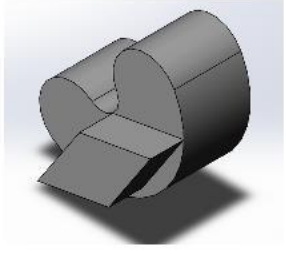
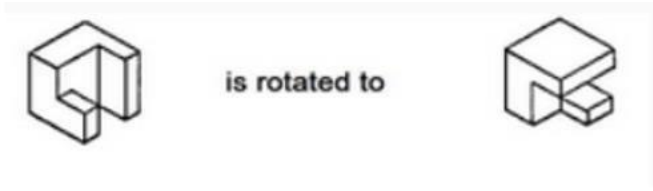
3.



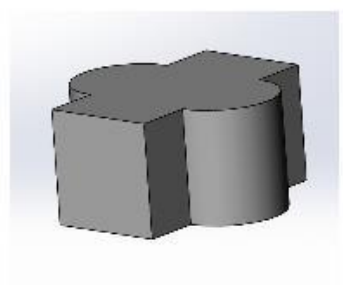
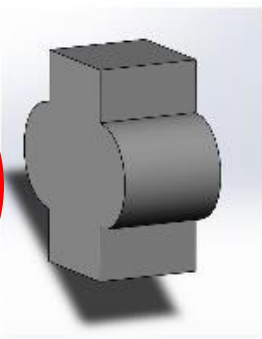
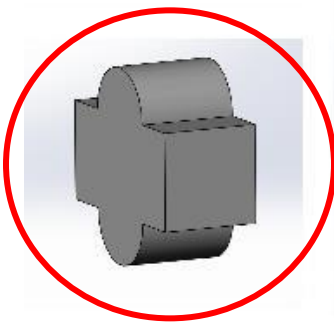
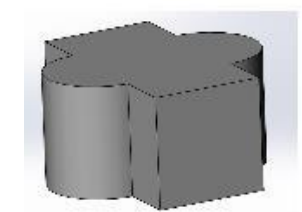
is rotated to



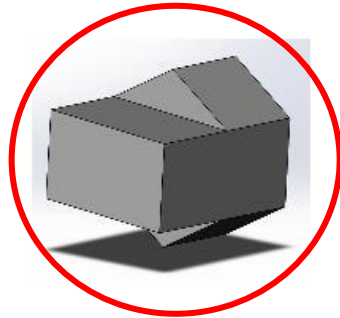
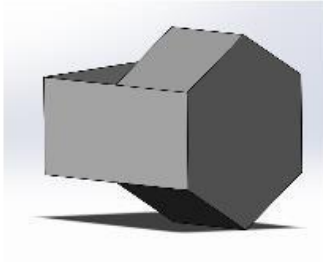
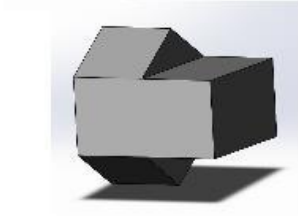
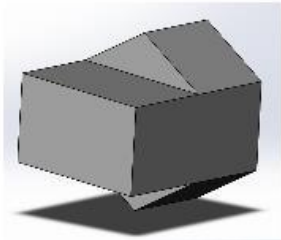
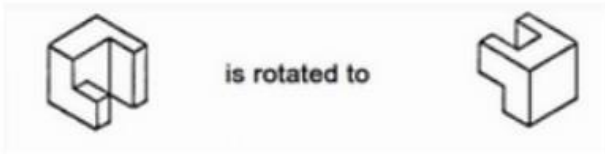
4.



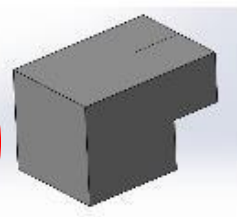
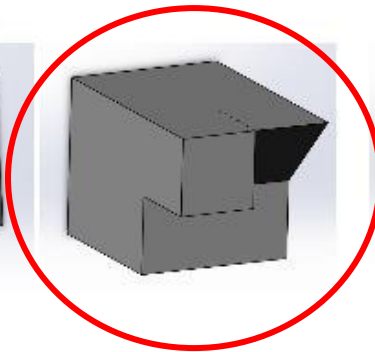
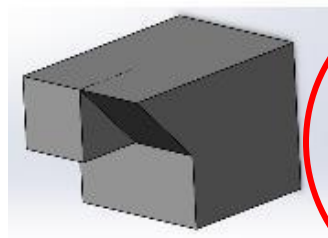
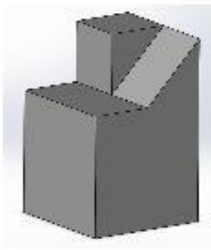
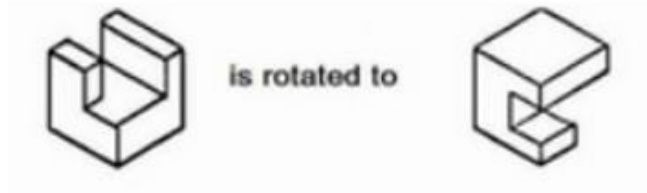
5.



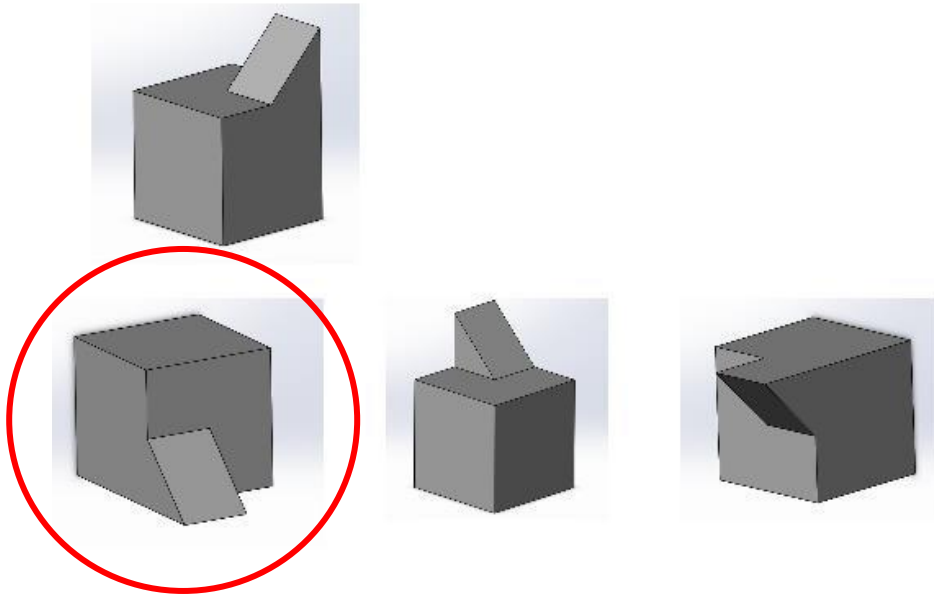
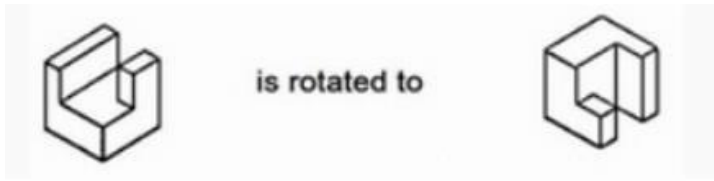
6.



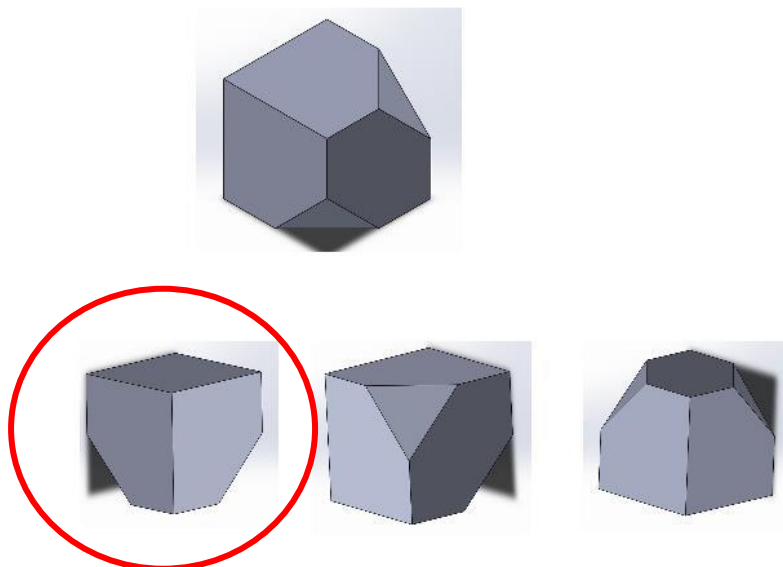
7.



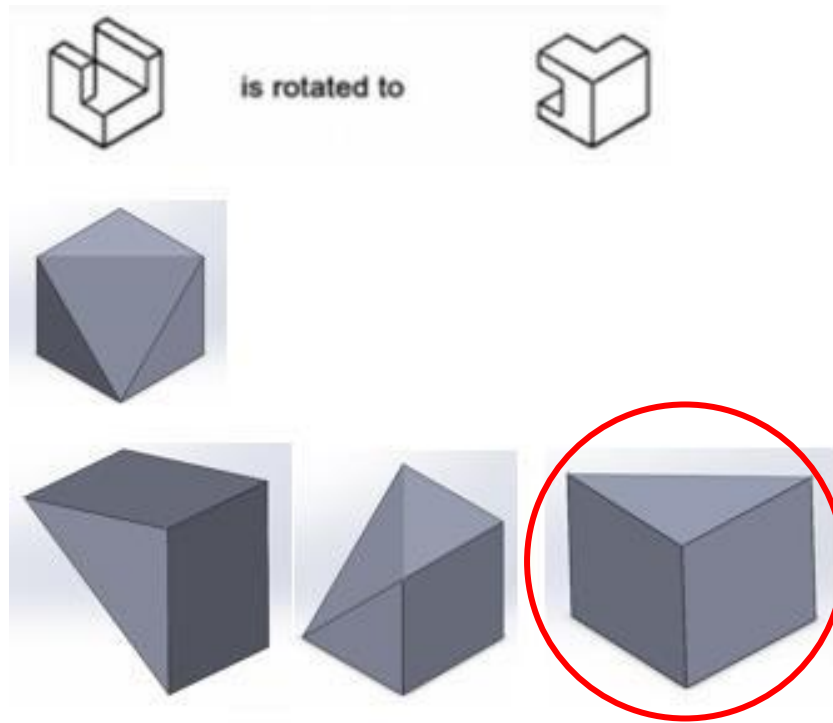
8.



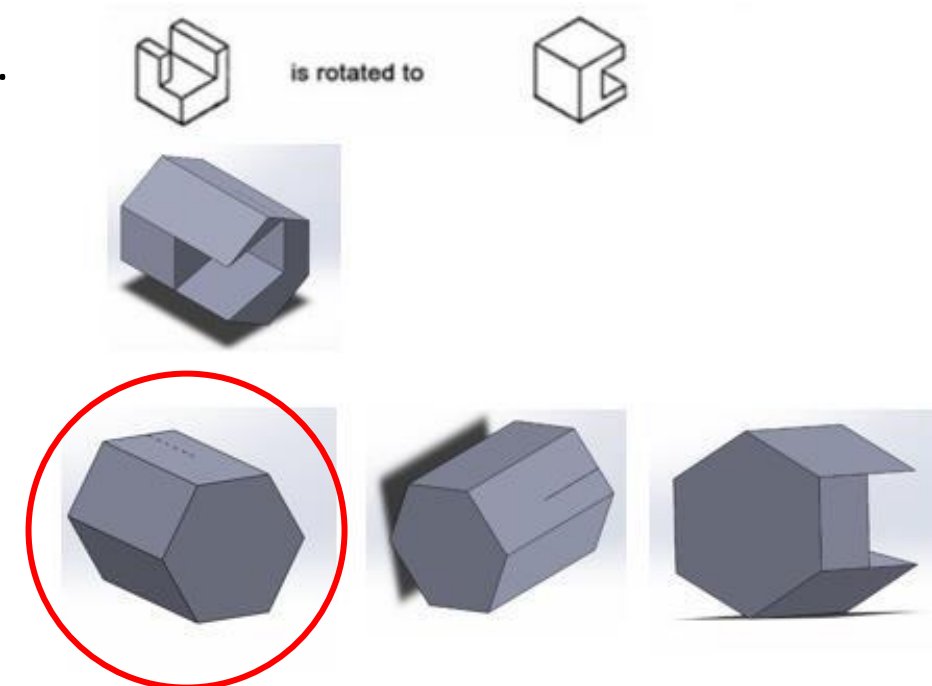
9.



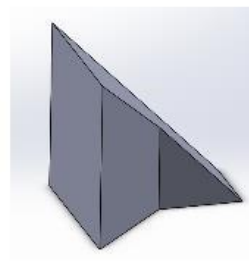
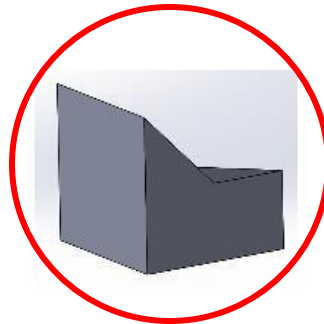
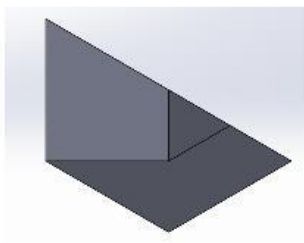
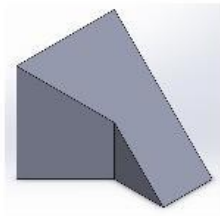
10.



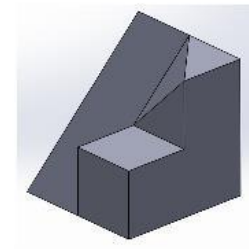
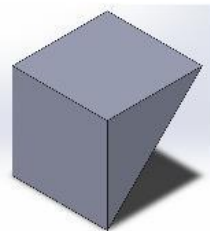
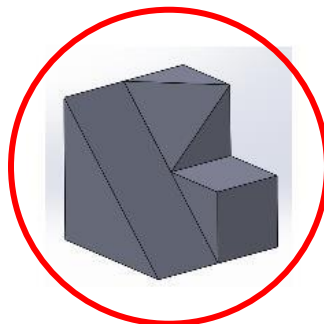
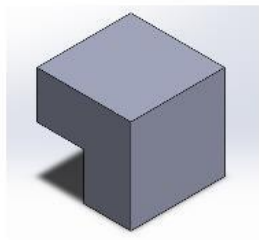
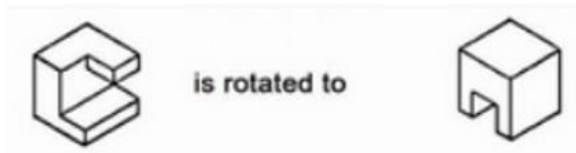
11.



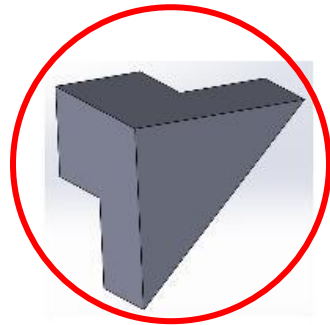
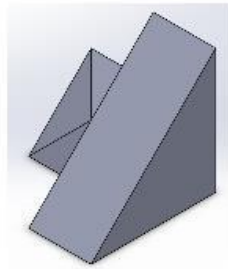
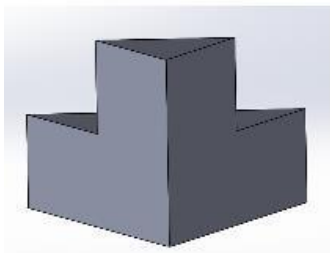
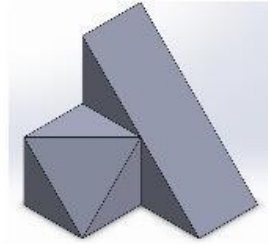
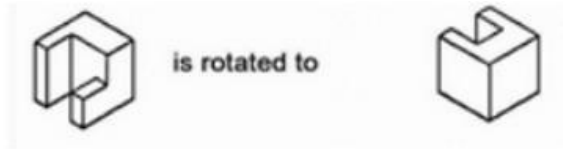
12.



13.



14.



15.

